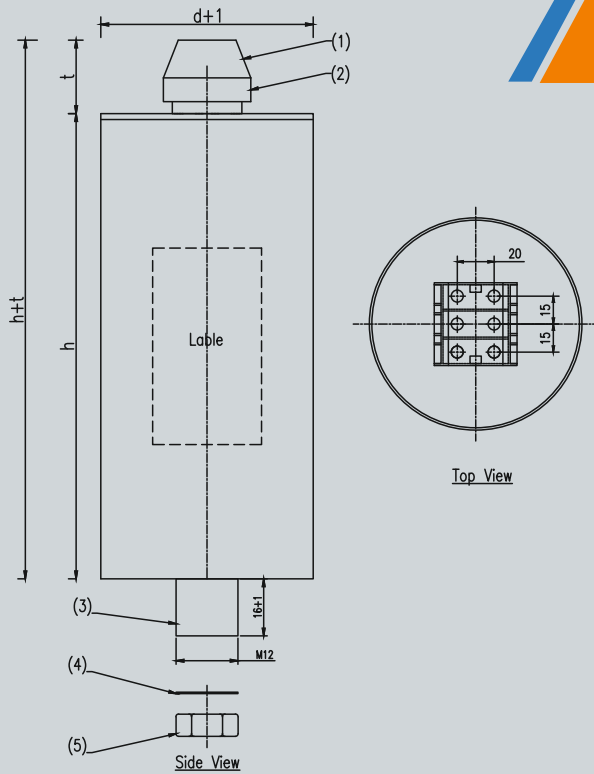


TECHNICAL SPECIFICATION

Standards	-	IEC 60831- Part -1 &2 IS 13340 - 1&2
Rated Reactive Power	KVAr	0.25- 50 KVAr (Single & Three Phase)
Rated voltage	V _{AC}	230-690V AC
Type	-	Cylindrical
Temperature Category	°C	-25°C to 55°C
Protection Class	-	IP20
Tolerance on Capacitance	%	± 5% as per standards
Over current	I _n	1.3 x I _n
Rated Frequency	Hz	50/60Hz
Over Voltage	V _{max}	V _n + 10% (Upto 8 Hrs in 24 Hrs) / V _n + 15% (Upto 30 min in 24 Hrs) V _n + 20% (Upto 5 min in 24 Hrs) / V _n + 30% (Upto 1 min in 24 Hrs)
Over Current	I _{max}	Upto 1.3 * I _n (Upto 1.5*IR including combined effects of harmonics, overvoltages and capacitance)
Peak Inrush Current	I _p	200 X I _n
In Operating Losses	-	≤ 0.5 W/kVAr, excluding discharge resistor Loss
Test Voltage (Terminal to Terminal)	V _{TT}	2.15 x U _n (AC), 2 sec
Test Voltage (Terminal & Casing)	V _{AC}	3000 V AC for 10 Sec
Mean Life Expectancy	-	1,00,000 operating hours at 55°C
Cooling	-	Naturally air cooled (or forced cooled)
Permissible Relative Humidity	-	Max.95%
Maximum Allowed Altitude	-	Max.4000m above sea level
Mounting Position	-	Vertically (Preferred)
Mounting & Grounding	-	With Threaded M 8 /M12 Stud
Protection Type	-	Self Healing, Over Pressure Sensitive 3 Phase Disconnecter
Discharge Resistors / Time Resistor	-	Special Design Internal Discharge Resistance 50V in less than 75 Sec
Casing	-	Extruded Aluminum Type
Dielectric	-	Metalized Polypropylene Film (MPP Film)
Impregnation	-	Biodegradable soft Jelly form Resin, Non PCB
Terminal	-	Screw Terminals connections from 75mm to 100mm and Stud Terminals connections 116mm & 136 mm
Number of Switching Operations	-	I _{max} . 5000 switching per year according to IEC 60831 - Part 1 & 2.
Installation	-	Indoor

DRAWING

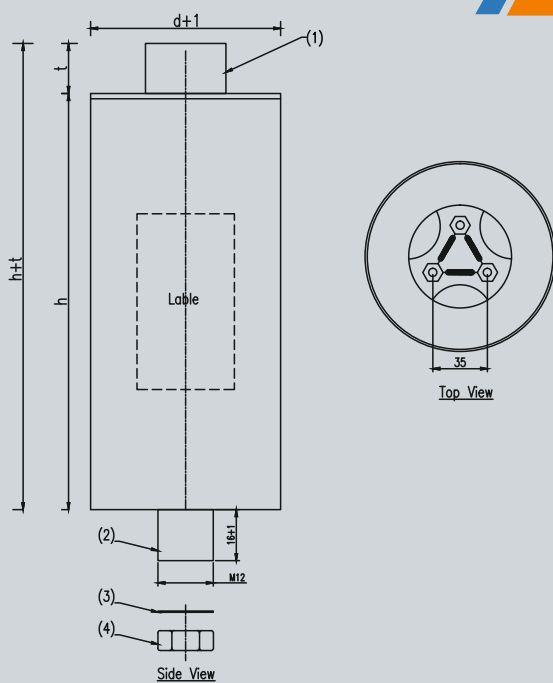


Screw Type Connector

SR. NO	PARAMETERS	SPECIFICATION
1	CREEPAGE DISTANCE	12 mm
2	CLEARANCE	10 mm
3	TORQUE M5	2.5 Nm
4	TORQUE M12	10 Nm
5	TERMINAL ASSEMBLY Ht	t = 44 mm

SR. NO	DESCRIPTION	
1	FINGER PROOF TERMINAL	Yes
2	RESISTOR ASSEMBLY	Yes
3	STUDE	M 12
4	TOOTHED WASHER	M 12
5	HEX NUT	M 12

Bold Type Connector



SR. NO	PARAMETERS	SPECIFICATION
1	CREEPAGE DISTANCE	18 mm
2	CLEARANCE	26 mm
3	TORQUE M8	10 Nm
4	TORQUE M12	10 Nm
5	TERMINAL ASSEMBLY Ht	t = 39 mm

SR. NO	DESCRIPTION	
1	TERMINAL WITH RESISTOR ASSEMBLY	Yes
2	STUDE	M 12
3	TOOTHED WASHER	M 12
4	HEX NUT	M 12

Freq.	Operting Voltage						Current of Max. Voltage	Rated Capacitance	Dimension (dxh)	Appro. Weight	YCPL Part Number	AL CAN
	400V	415V	440V	480V	525V	690V						
Hz	KVAr	KVAr	KVAr	KVAr	KVAr	KVAr	Amp	µF	mm	Kg	Code	Type
50	5	-	-	-	-	-	7.2	3x33.2	75X170	0.8	HHDC-05-400V-3 Ph	S
50	7.5	-	-	-	-	-	10.8	3x49.8	75X170	0.8	HHDC-7.5-400V-3 Ph	S
50	10	-	-	-	-	-	14.4	3x66.3	75X200	1.1	HHDC-10-400V-3 Ph	S
50	12.5	-	-	-	-	-	18.0	3x82.9	85X200	1.3	HHDC-12.5-400V-3 Ph	S
50	15	-	-	-	-	-	21.7	3x99.5	85X200	1.4	HHDC-15-400V-3 Ph	S
50	20	-	-	-	-	-	28.9	3x132.7	95X210	1.7	HHDC-20-400V-3 Ph	S
50	25	-	-	-	-	-	36.1	3x165.9	95X247	1.9	HHDC-25-400V-3 Ph	S
50	30	-	-	-	-	-	43.3	3x199	116X210	2.4	HHDC-30-400V-3 Ph	B
50	40	-	-	-	-	-	57.7	3x265.4	116X247	2.9	HHDC-40-400V-3 Ph	B
50	50	-	-	-	-	-	72.2	3x331.7	136X247	3.9	HHDC-50-400V-3 Ph	B
50	4.6	5	-	-	-	-	7.0	3x30.8	75X170	0.8	HHDC-05-415V-3 Ph	S
50	7.0	7.5	-	-	-	-	10.4	3x46.2	75X170	1	HHDC-7.5-415V-3 Ph	S
50	9.3	10	-	-	-	-	13.9	3x61.6	75X200	1.2	HHDC-10-415V-3 Ph	S
50	11.6	12.5	-	-	-	-	17.4	3 x 7 7	85X200	1.4	HHDC-12.5-415V-3 Ph	S
50	13.9	15	-	-	-	-	20.9	3x92.5	85X200	1.6	HHDC-15-415V-3 Ph	S
50	18.6	20	-	-	-	-	27.8	3x123.3	95X210	1.9	HHDC-20-415V-3 Ph	S
50	23.2	25	-	-	-	-	34.8	3x154.1	95X247	2	HHDC-25-415V-3 Ph	S
50	27.9	30	-	-	-	-	41.7	3x184.9	116X210	2.5	HHDC-30-415V-3 Ph	B
50	37.2	40	-	-	-	-	55.6	3x246.6	116X247	3.1	HHDC-40-415V-3 Ph	B
50	46.5	50	-	-	-	-	69.6	3x308.2	136X247	3.5	HHDC-50-415V-3 Ph	B
50	4.1	4.4	5	-	-	-	6.6	3x27.4	75X170	0.8	HHDC-05-440V-3 Ph	S
50	6.2	6.7	7.5	-	-	-	9.8	3x41.1	75X170	1	HHDC-7.5-440V-3 Ph	S
50	8.3	8.9	10	-	-	-	13.1	3x54.8	75X200	1.2	HHDC-10-440V-3 Ph	S
50	10.3	11.1	12.5	-	-	-	16.4	3x68.5	85X200	1.4	HHDC-12.5-440V-3 Ph	S
50	12.4	13.3	15	-	-	-	19.7	3x82.2	75X254	1.6	HHDC-15-440V-3 Ph	S
50	16.5	17.8	20	-	-	-	26.2	3x109.7	85X254	1.9	HHDC20-440V-3 Ph	S
50	13.8	14.8	25	-	-	-	32.8	3x137.1	95X247	2	HHDC-25-440V-3 Ph	S
50	24.8	26.7	30	-	-	-	39.4	3x164.5	116X247	2.5	HHDC-30-440V-3 Ph	B
50	33.1	35.6	40	-	-	-	52.5	3x219.3	136X247	3.1	HHDC-40-440V-3 Ph	B
50	41.3	44.5	50	-	-	-	65.6	3x247.2	136X247	3.5	HHDC-50-440V-3 Ph	B

S - Screw Type Connector Ref. page No. - 7
B - Bolt Type Connector Ref. page No. - 7

Freq.	Operating Voltage						Current of Max. Voltage	Rated Capacitance	Dimension (dxh)	Appro. Weight	YCPL Part Number	AL CAN
	400V	415V	440V	480V	525V	690V						

Hz	KVAr	KVAr	KVAr	KVAr	KVAr	KVAr	Amp	µF	mm	Kg	Code	Type
50	3.7	4.0	4.5	5	-	-	6.0	3x23	75x170	0.75	HHDC-05-400V-3 Ph	S
50	5.2	5.6	6.3	7.5	-	-	9.0	3x34.6	75x170	0.825	HHDC-7.5-400V-3 Ph	S
50	6.9	7.5	8.4	10	-	-	12.0	3x46.1	75x200	1.1	HHDC-10-400V-3 Ph	S
50	8.7	9.3	10.5	12.5	-	-	15.0	3x57.6	85x200	1.3	HHDC-12.5-400V-3 Ph	S
50	10.4	11.2	12.6	15	-	-	18.0	3x69.1	85x200	1.4	HHDC-15-400V-3 Ph	S
50	13.9	14.9	16.8	20	-	-	24.1	3x92.2	95x210	1.7	HHDC-20-400V-3 Ph	S
50	17.4	18.7	21.0	25	-	-	30.1	3x115.2	95x247	1.9	HHDC-25-400V-3 Ph	S
50	20.8	22.4	25.2	30	-	-	36.1	3x138.2	116x210	2.4	HHDC-30-400V-3 Ph	B
50	27.8	29.9	33.6	40	-	-	48.1	3x184.3	136x247	2.9	HHDC-40-400V-3 Ph	B
50	34.7	37.4	42.0	50	-	-	60.1	3x230.4	136x247	3.9	HHDC-50-400V-3 Ph	B

Hz	KVAr	KVAr	KVAr	KVAr	KVAr	KVAr	Amp	µF	mm	Kg	Code	Type
50	2.9	3.1	3.5	4.2	5	-	5.5	3x19.3	75x170	0.9	HHDC-05-525V-3 Ph	S
50	4.4	4.7	5.3	6.3	7.5	-	8.2	3x28.9	75x170	1	HHDC-7.5-525V-3 Ph	S
50	5.8	6.2	7.0	8.4	10	-	11.0	3x38.5	75x200	1.2	HHDC-10-525V-3 Ph	S
50	7.3	7.8	8.8	10.5	12.5	-	13.7	3x48.1	85x200	1.4	HHDC-12.5-525V-3 Ph	S
50	8.7	9.4	10.5	12.6	15	-	16.5	3x57.8	85x200	1.6	HHDC-15-525V-3 Ph	S
50	11.6	12.5	14.1	16.7	20	-	22.0	3x77	95x247	1.9	HHDC-20-525V-3 Ph	S
50	14.5	15.6	17.6	20.9	25	-	27.5	3x96.3	116x210	2.7	HHDC-25-525V-3 Ph	S
50	17.4	18.7	21.1	25.1	30	-	33.0	3x115.5	116x250	3.1	HHDC-30-525V-3 Ph	B
50	23.2	25.0	28.1	33.5	40	-	44.0	3x154.1	136x250	3.7	HHDC-40-525V-3 Ph	B
50	29.0	31.2	35.1	41.9	50	-	55.0	3x192.6	136x250	3.9	HHDC-50-525V-3 Ph	B

Hz	KVAr	KVAr	KVAr	KVAr	KVAr	KVAr	Amp	µF	mm	Kg	Code	Type
50	1.7	1.8	2.0	2.4	2.9	5	4.2	3x11.1	75X170	1.2	HHDC-05-690V-3 Ph	S
50	2.5	2.7	3.1	3.6	4.3	7.5	6.3	3x16.7	75X170	1.4	HHDC-7.5-690V-3 Ph	S
50	3.4	3.6	4.1	4.8	5.8	10	8.4	3x22.3	75X200	1.7	HHDC-10-690V-3 Ph	S
50	4.2	4.5	5.1	6.1	7.2	12.5	10.5	3x27.9	85X200	2	HHDC-12.5-690V-3 Ph	S
50	5.0	5.4	6.1	7.3	8.7	15	12.6	3x33.4	85X200	2.3	HHDC-15-690V-3 Ph	S
50	6.7	7.2	8.1	9.7	11.5	20	16.7	3x44.6	95X247	2.5	HHDC-20-690V-3 Ph	S
50	8.4	9.0	10.2	12.1	14.4	25	20.9	3x55.7	136X247	3.4	HHDC-25-690V-3 Ph	S
50	10.1	10.8	12.2	14.5	17.3	30	25.1	3x66.9	136X247	3.7	HHDC-30-690V-3 Ph	B
50	13.4	14.5	16.3	19.4	23.1	40	33.5	3x89.2	136X247	4	HHDC-40-690V-3 Ph	B
50	16.8	18.1	20.3	24.2	28.8	50	41.8	3x111.5	136X247	4.3	HHDC-50-690V-3 Ph	B

S - Screw Type Connector Ref. page No. - 7
 B - Bolt Type Connector Ref. page No. - 7